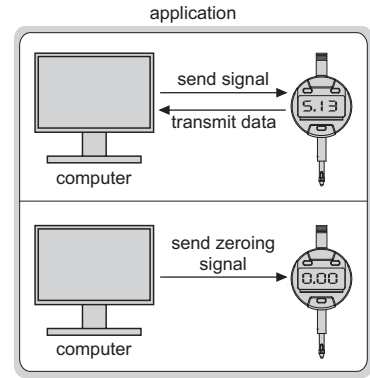


DIGITAL INDICATOR DATA OUTPUT CABLES (RESPONSE TYPE)

- Text format virtual com port
- Computer sends zeroing signal (CLR) and the digital indicator is zero
- Computer sends signal (RD+Enter key) and the digital indicator transmits data once



7320-R01M



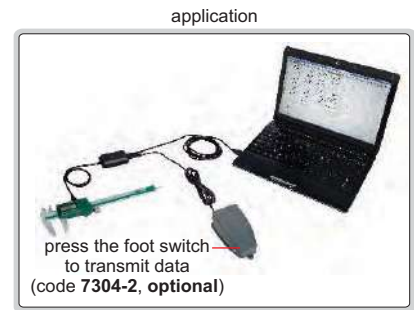
Code	Description	Plug type to product	Socket type on product	Plug type to computer	Applicable products
7320-U01M	cable for digital indicators (length 2.5m)				for digital indicators
7320-R01M					

FOOT SWITCH

- For data transmission



7304-2



Code	Description	Applicable products
7304-2	data transmission foot switch with cable (length 2m)	7302 series data cables 7305 series data cables (separated button type)

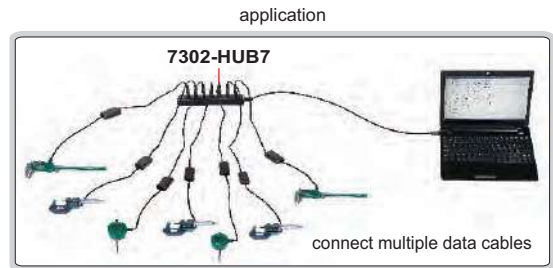
HUBS



7302-HUB



7302-HUB7



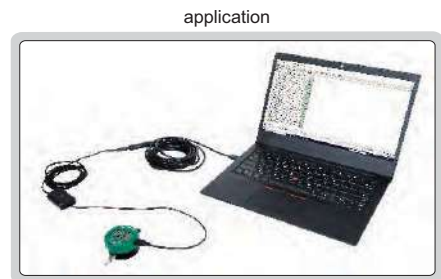
- Suitable for USB plug data cable

Code	Description	Applicable products
7302-HUB	4-channel hub (length 0.3m, USB computer plug)	7302 series data cables 7305 series data cables (USB plug type)
7302-HUB7	7-channel hub (length 1m, USB computer plug)	

EXTENSION CABLES



7302-ADD5



Code	Description	Applicable products
7302-ADD5	Data extension cable (length 5m, USB plug)	7302 series data cables 7305 series data cables (USB plug type)
7302-ADD10	Data extension cable (length 10m, USB plug)	