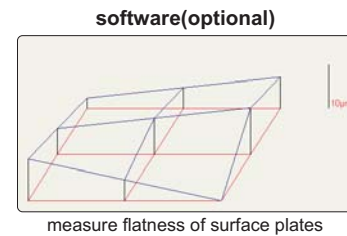
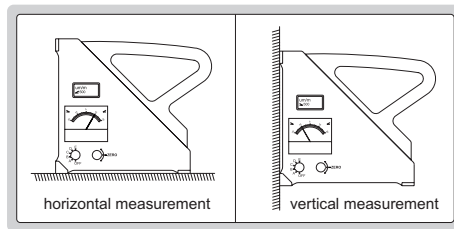
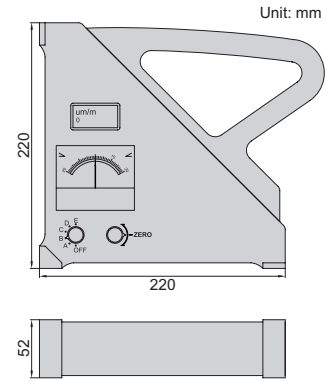
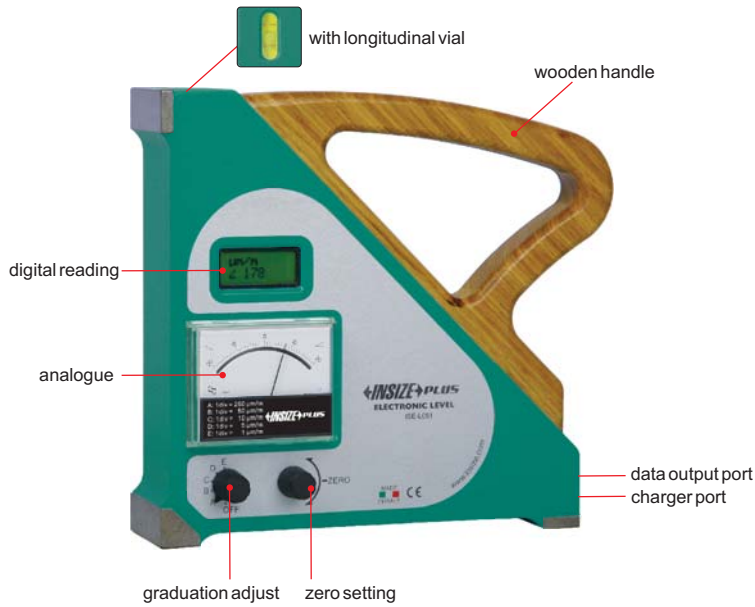




ELECTRONIC LEVEL CODE ISE-L051



- Shockproof
- Analogue and digital reading modes

SPECIFICATION

Graduation of analogue(adjustable)	250µm/m(=0.014")	50µm/m(=10")	10µm/m(=2")	5µm/m(=1")	1µm/m(=0.2")
Range of analogue	5000µm/m	1000µm/m	200µm/m	100µm/m	20µm/m
Resolution of digital reading	1µm/m(=0.2")				
Range of digital reading	5000µm/m				
Accuracy	±2%				
Range of zero setting	±1500µm/m				
Response time	<3 sec				
Data output	RS232				
Power supply	rechargeable battery, for 100 hours working				
Dimension	220x220x52mm				
Weight	4.4kg				

STANDARD DELIVERY

Main unit	1pc
AC/DC adapter	1pc

OPTIONAL ACCESSORY

USB Cable and software	ISE-L051-SOFTWARE
-------------------------------	-------------------